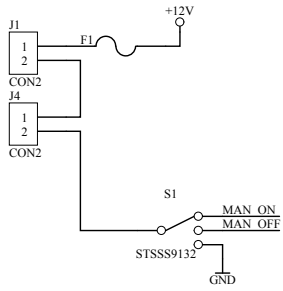
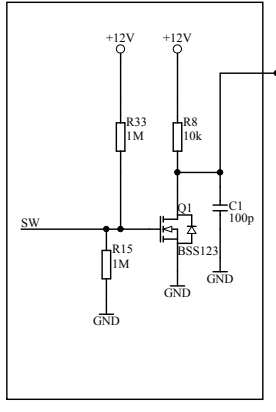


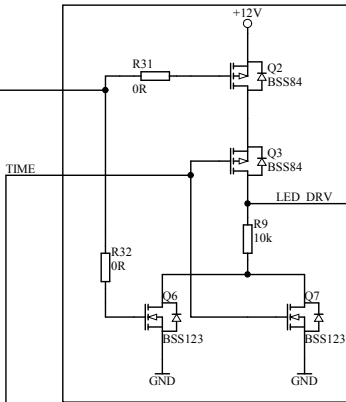
BATTERY



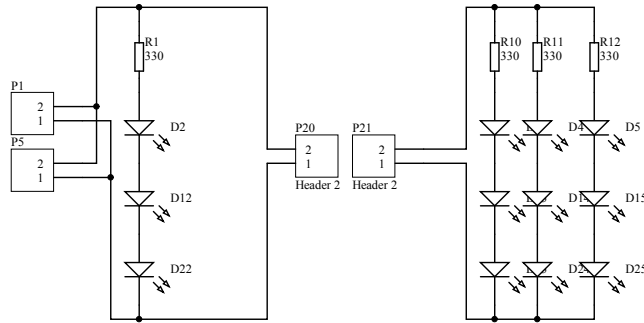
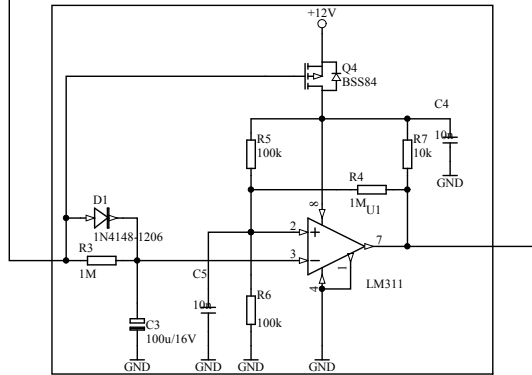
SWITCH_INPUT



NAND_GATE



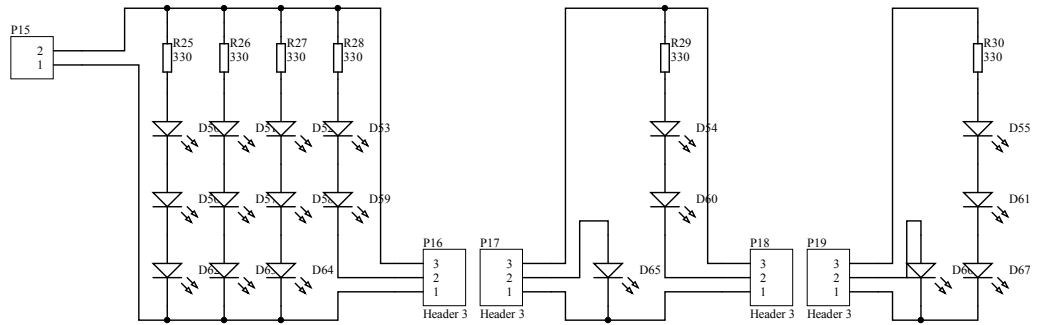
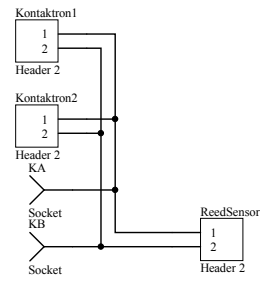
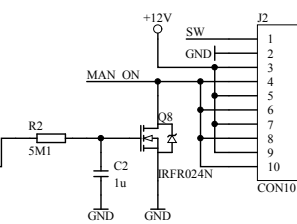
TIMEOUT



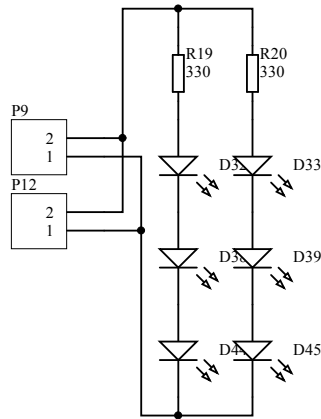
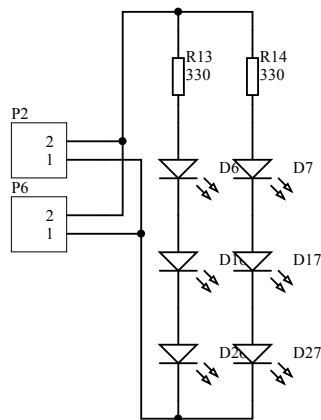
Repeat(F.1.3)
falca_SchDoc



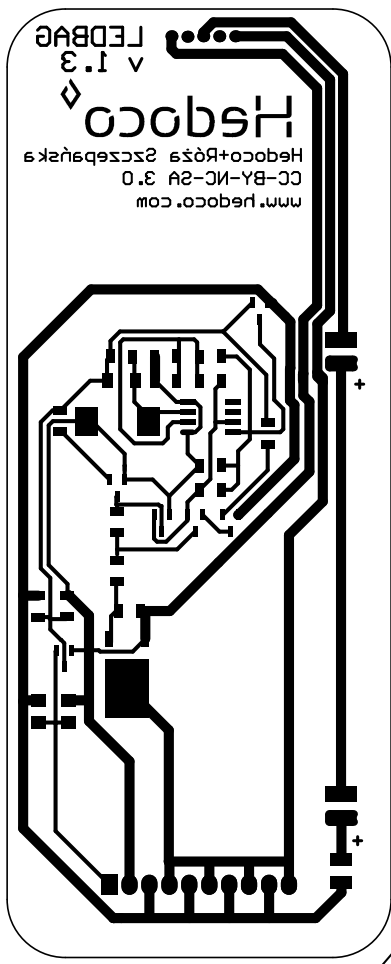
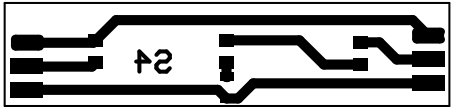
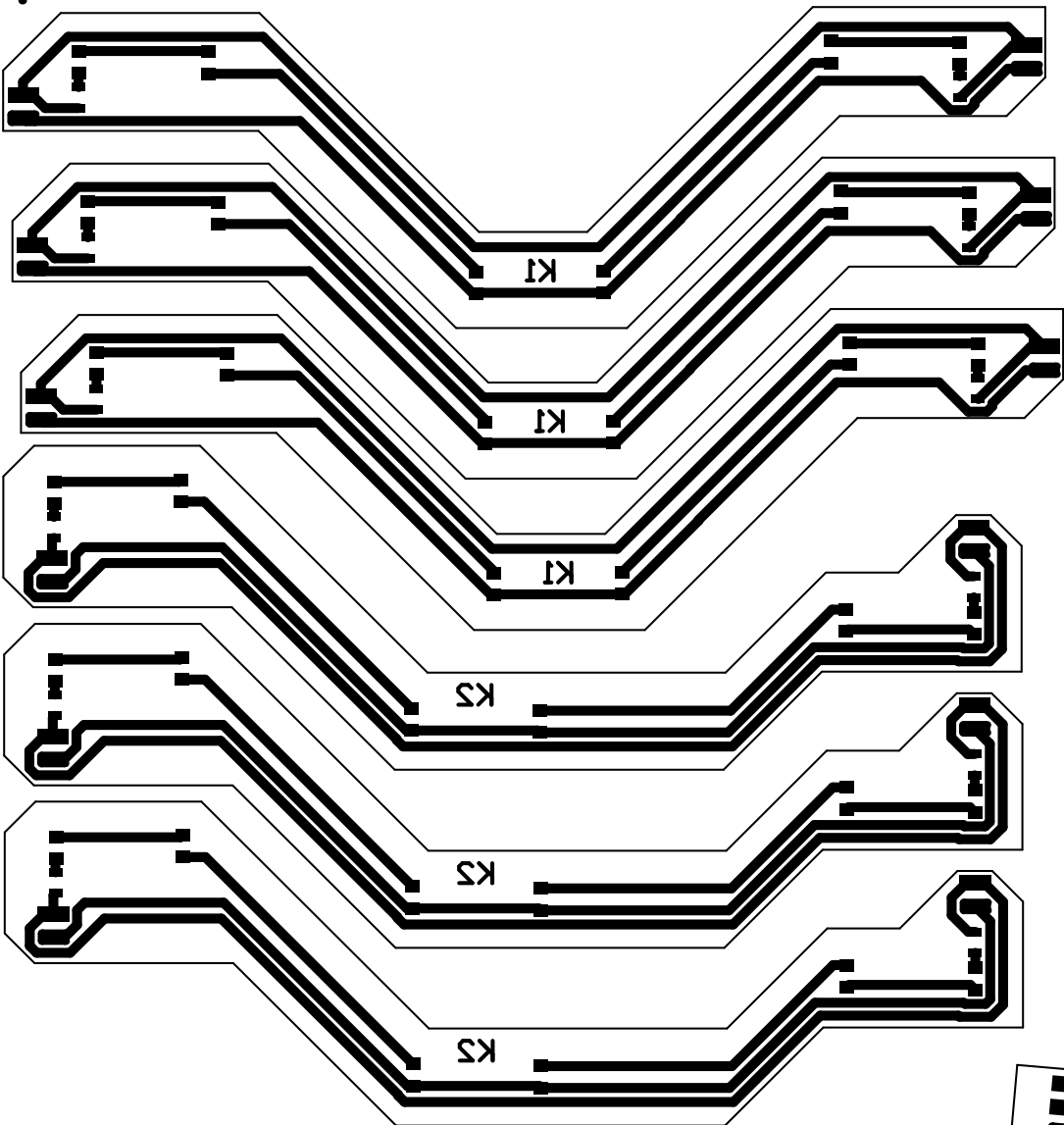
LED



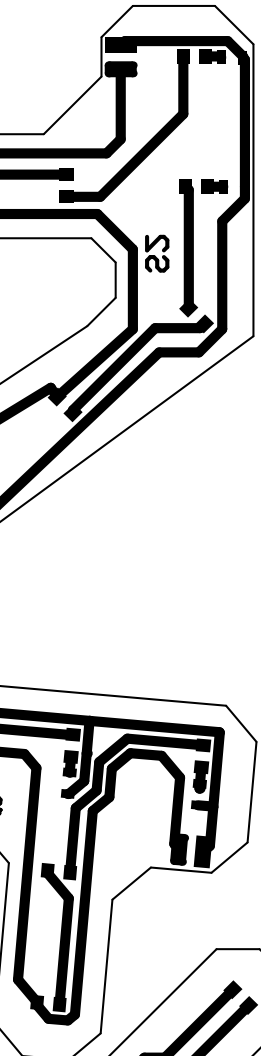
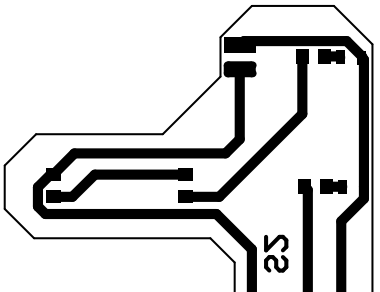
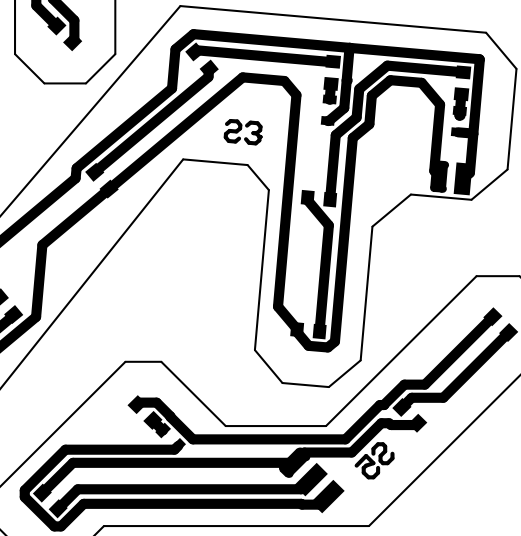
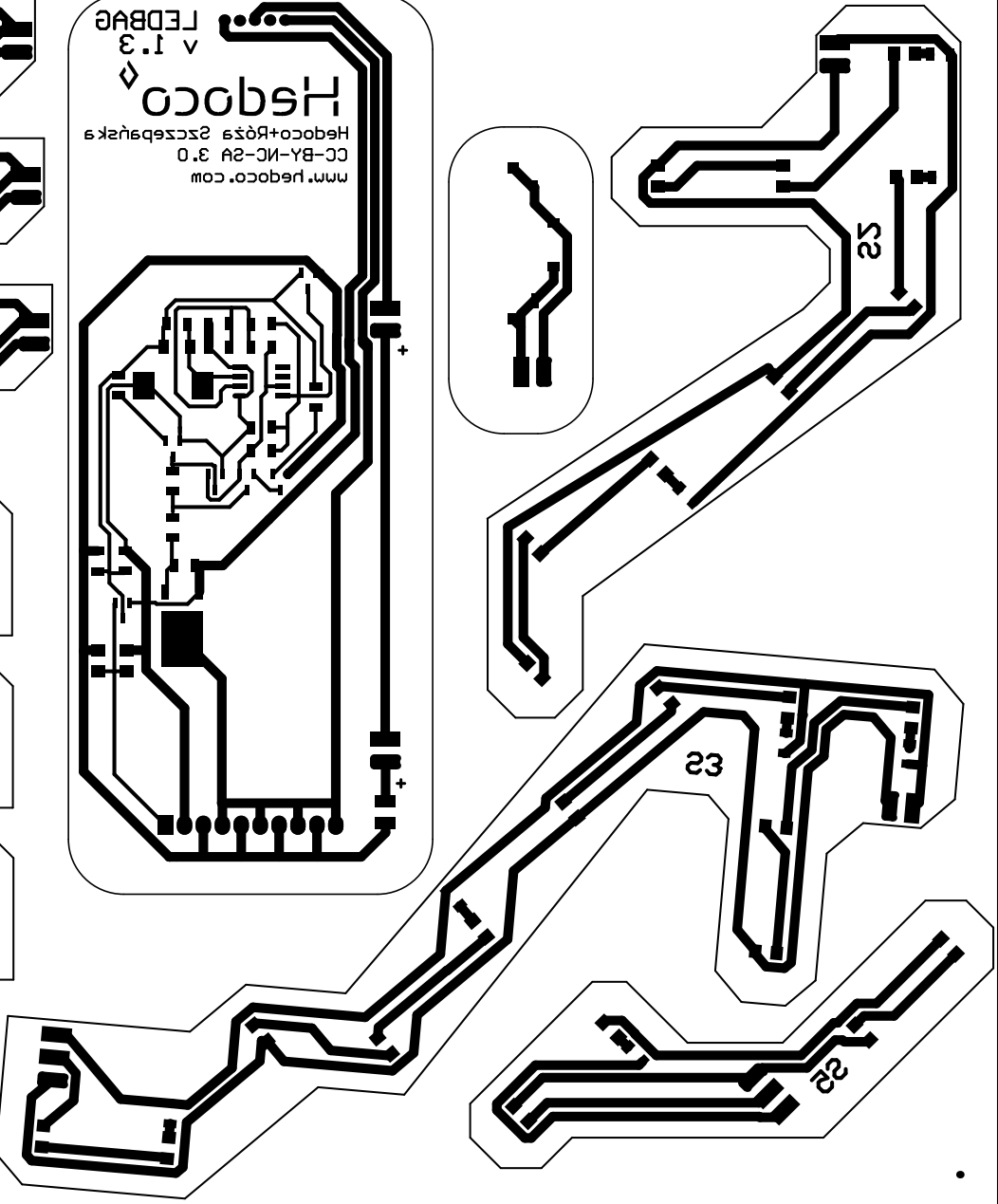
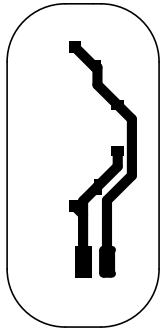
Title LedBag			HEDOCO
Size: B	Number1	Revision: 1.2	
Date: 2012-02-01	Time: 20:37:53	Sheet 1 of 1	
File: D:\pracal\alum_projects\ledbag\LEDBag_1.3.Sch			



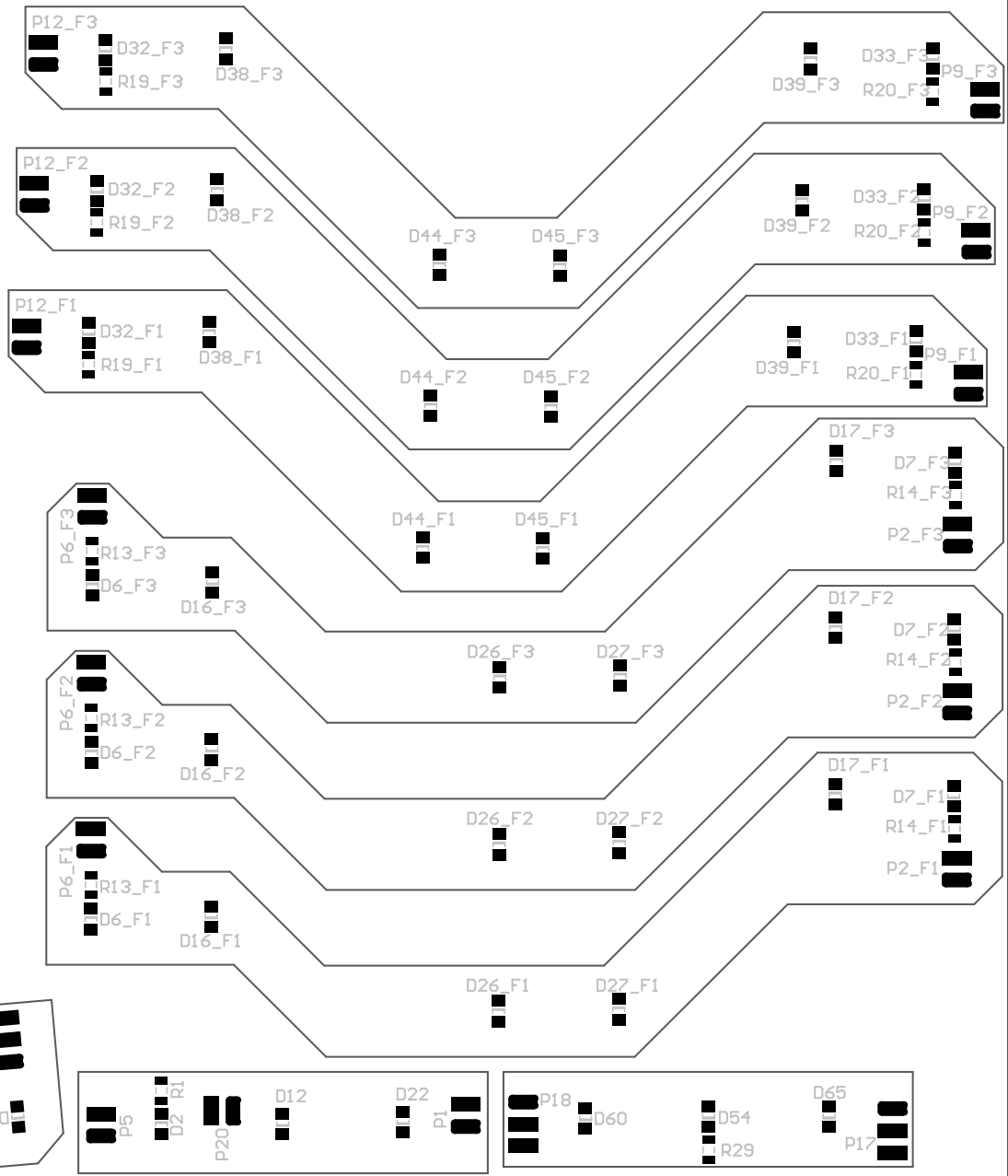
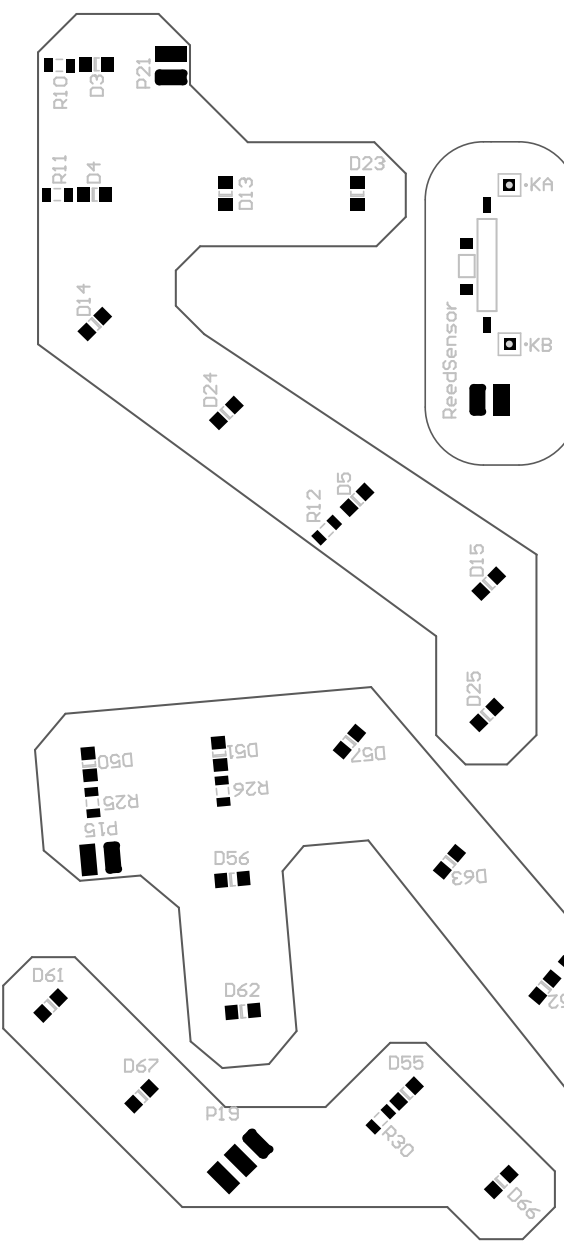
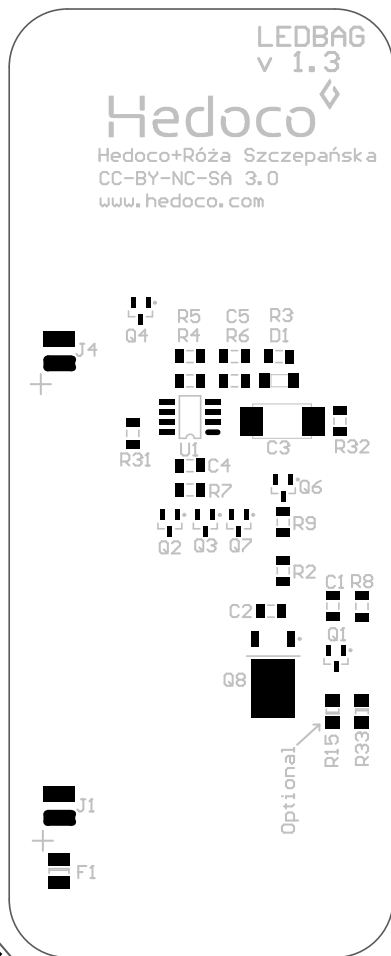
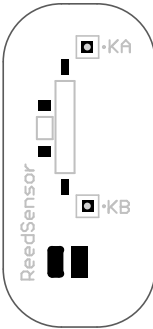
Title		
Size A4	Number	Revision
Date:	2012-02-01	Sheet of
File:	D:\praca\...falka.SchDoc	Drawn By:

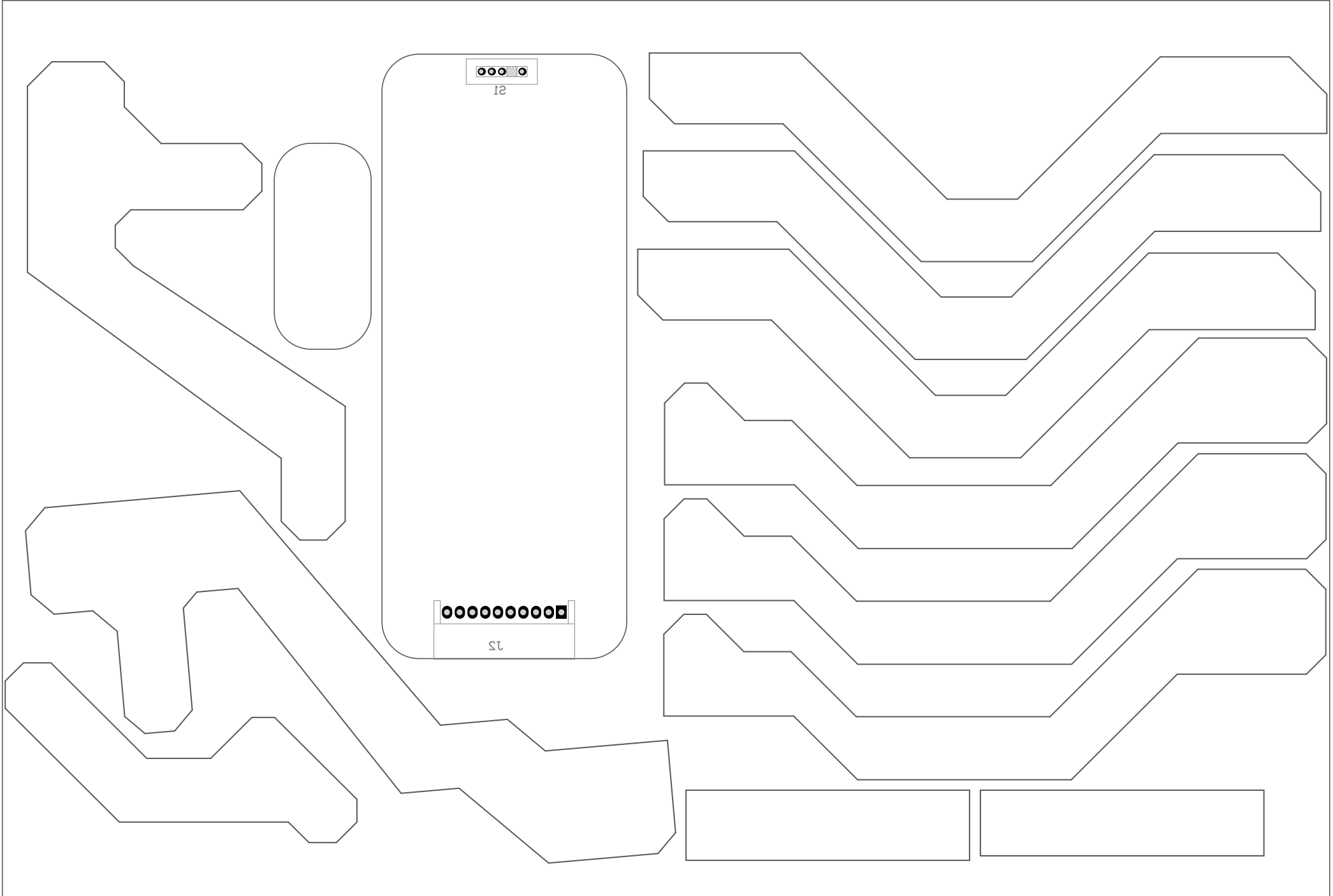


LEDBAG
v 1.3
Hedoco
www.hedoco.com
CC-BY-NC-SA 3.0
Hedoco+Róża Szczęśliwka 9



LEDBAG
v 1.3
Hedoco
Hedoco+Róża Szczepańska
CC-BY-NC-SA 3.0
www.hedoco.com





12



15

